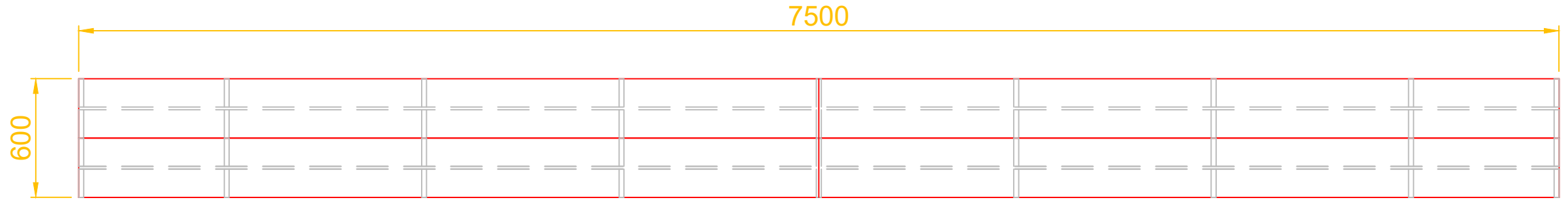
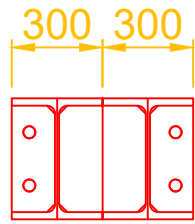


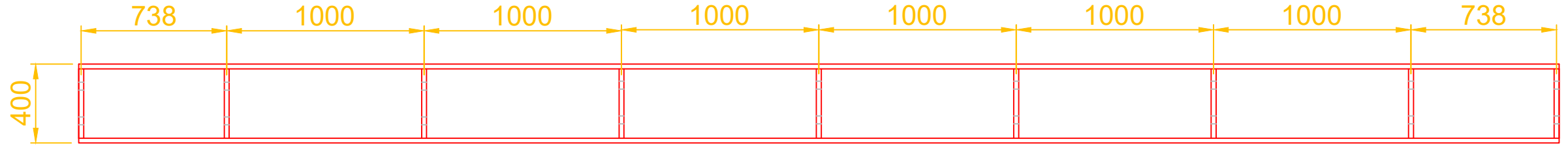
As Built



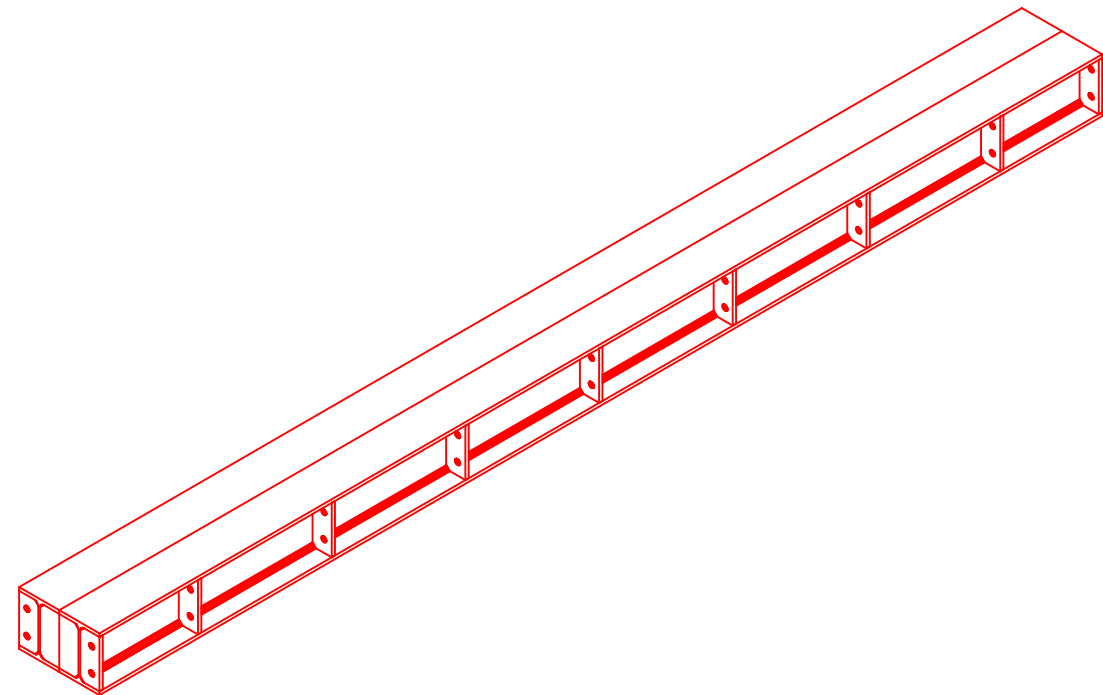
Topview



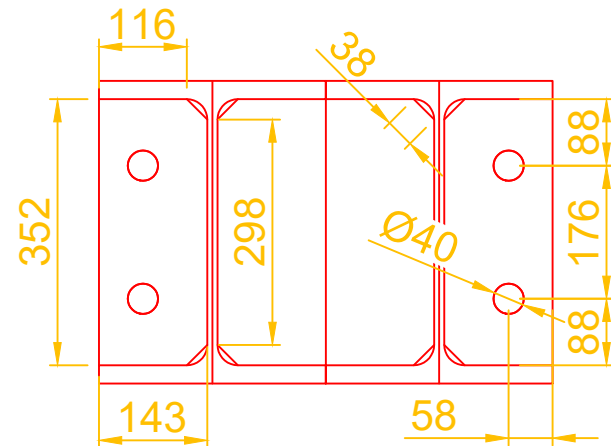
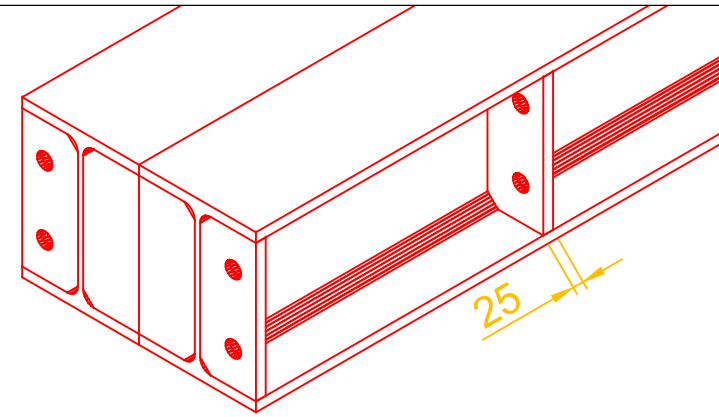
Frontview



Sideview



Isometric-view



Frontview M 1:10

	Material	S335
Q		
V	VOLUME (m³)	1,80
M	Weight (Kg)	2000
Frt	Freight (Te)	2,00



Autokrane Spezialtransporte Montagen

Schmidbauer GmbH & Co. KG
Autokrane • Spezialtransporte • Montagen

Seeholzstraße 1
D-82166 Gräfelfing b. München
Tel.: (+49) 89 / 89 86 76 0 Fax: (+49) 89 / 85 11 24
info@schmidbauer-gruppe.de
www.schmidbauer-gruppe.de

project leader:
-

checked:
-

client:
Schmidbauer Equipment Center

city:
HV (Gräfelfing)

project title:
Loadspreader

work specification:
HEB 400 S355-L7500 W600 H400

scale:	1:25	DIN A3	drawn by:	P. Verges	HV/NL: 50
rev.	date	drawn by	date:	18.07.2012	drawing no:
REV00	-	P.V.	order no:	Auftragsnr	E04
					1 - 1

According to § 2 Abs. 1 UrhG, the present technical drawing is subject to copyright and shall not be disclosed, published, reproduced or used for other purposes than the agreed purposes without our prior written consent. (16 ff. UrhG)

E:\Kranntabellen\Matten\7,5m_0,6m_HEB_400_S355-L7500W600H400MD.dwg